



MADE IN THE USA



Walkabout® MOTHER BIN 6000+ Big Red

Designed to help farmers with high capacity combines harvest more acres per day. The extra 2000 bushels of storage, over the WMB 4000+ Eastern Grey, allows combines to keep running long after the elevator closes.



- 6,000+ bushel capacity
- AGRI-COVER® Electric Roll Tarp
- Split front and rear flow gates to blend grain
- 22" Elmer's unload auger
- 4-way auger spout
- Up to 900 bushel-per-minute unload rate
- Camera system
- Self-steering front and force steering rear axles
- Optional downforce hitch
- Rear access door
- Movable while in the field when partially loaded
- Full length clean out doors
- Minimum 300hp
- 71' long x 14'11" wide x 13'4" high

BREAK THE HARVEST BOTTLENECK

The WMB reduces grain cart cycle times. It can be easily moved, even when partially loaded, keeping it in close proximity to the combines.

The WMB allows farmers to operate with less help and less equipment by holding 6 to 8 semi loads of grain.

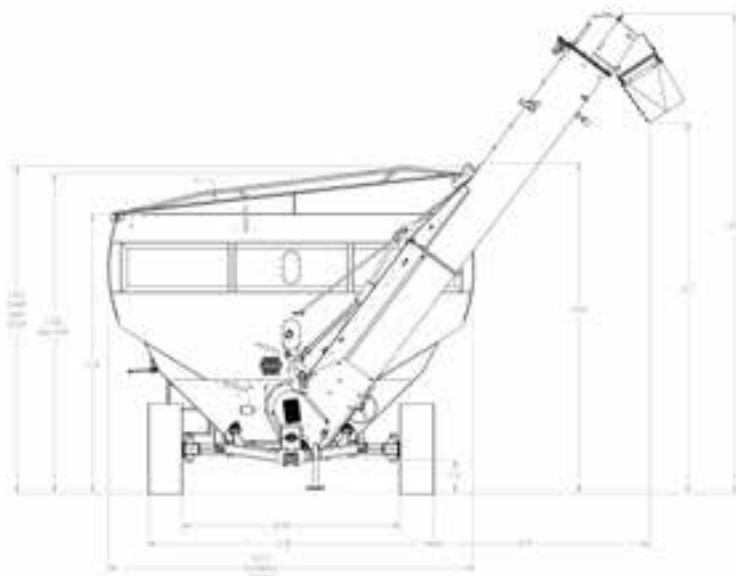
The WMB reduces soil compaction by enabling you to use smaller grain carts and tractors, reducing weights being carried across the field.

The WMB guarantees the ability to continue or extend harvesting time if: elevators close, the distance from farm or elevator is too far for trucks to keep grain away from combines, problems arise because of slow unloading at the elevator or on-farm storage, or breakdowns anywhere in the transport, delivery or storage chain.

DIMENSIONS

WMB 6000+ Big Red

Maximum Width	14'11"
Maximum Height (for transport)	13'6"
Height of top of bin side	13'5"
Length of bin	60'
Overall length	70'
Length of pull	6'4"
Auger height to tip down	15'1"
Auger width to spout	8'9"
Overall auger height	19'6"
Tire size	445/65R 22.5



THE SWISS ARMY KNIFE OF EQUIPMENT

As efficiency becomes more and more important in operations, the Mother Bin really is a Swiss army knife piece of equipment that can be used several times during the year to help solve many bottleneck and labor issues.

EMPTY OR FILL GRAIN BAGS

Along with the combine(s), keeping the bagger moving is essential to efficiency. By placing the Mother Bin next to the bagger while filling, the grain cart is never delayed in returning to the combine(s). When emptying, the Mother Bin can move with the bagger so it never has to stop.

USE AS A SEED TENDER

With its 6000-bushel capacity, seed trucks are able to tender out of the bin while being positioned in a central location during planting time.

BLEND GRAIN

With the Walkabout Mother Bin, users are able to blend grain to get the desired moisture content by using the split front and rear flow gate feature.

WEATHER PROTECTION

When inclement weather is approaching, users can get their commodity out of the field and protected.

REDUCE SOIL COMPACTION

The Mother Bin allows users to run smaller grain cart(s) and smaller tractors resulting in less compaction. Less soil compaction leads to higher production and less need for tillage or fertilizer to boost production.



Walkabout Mother Bins are made in the USA from solid steel. We deliver anywhere in the United States or Canada, coast to coast.

Manufactured by MacKow Industries, West Fargo, North Dakota