



EZ-VEYOR™ Conveyor Trailer

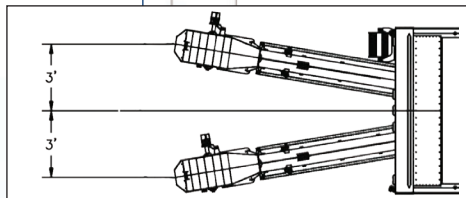
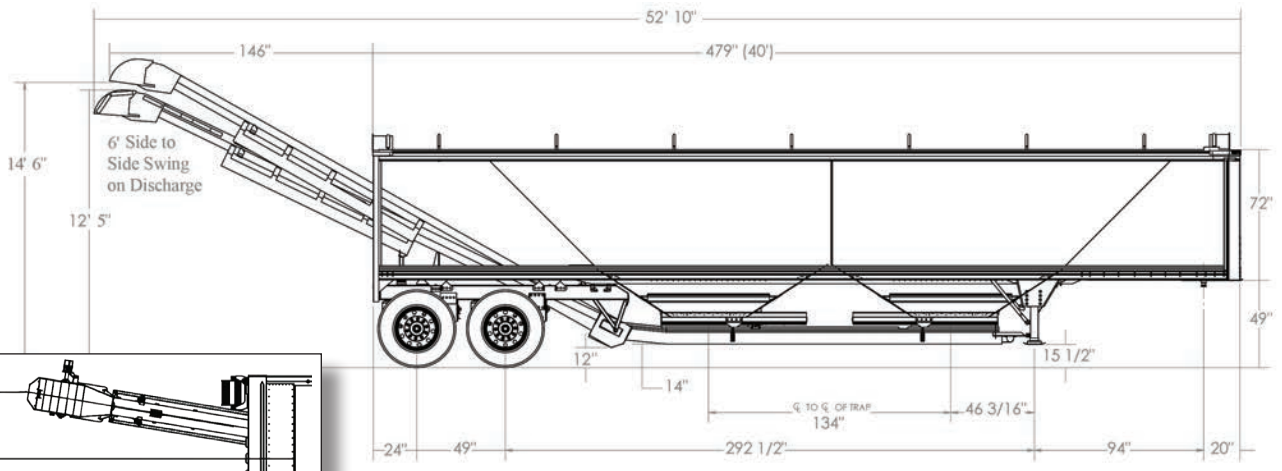


The EZ-VEYOR™ is manufactured in the USA, assembled in North Dakota and sold exclusively by FEI, Inc.

The EZ-VEYOR™ was specifically engineered with a hydraulically-driven stainless steel belt conveyor system integrated into a Timpte trailer. Quick and efficient, the EZ-VEYOR™ can unload 26 tons of fertilizer, feed or seed in minutes.

DIMENSIONS: 40' x 72" x 96"

CUBIC FOOT CAPACITY: 1,370 (water level)



MADE IN THE USA

ADVANTAGES

- Timpte trailers are the #1 selling trailers in North America
- 40' length for maximum payload capacity of 1,370 cu. ft. (water level)
- Discharge exceeds 4,000 lbs./min. (depending on product)
- Industry leading discharge height of 14' 6"
- 6' side-to-side swing on discharge conveyor
- Smooth sidewall for increased fuel economy over post-riveted trailers
- High quality 304 stainless steel conveyor system
- One on/off lever controls both conveyors



Watch the EZ-VEYOR™ in action online: [youtube.com/watch?v=01K7vGMWoll](https://www.youtube.com/watch?v=01K7vGMWoll)



The best in quality and reliability for fertilizer, feed and seed handling, sold exclusively by FEI, Inc.

STANDARD FEATURES

- Air ride suspension
- Double wall construction
- Stainless steel front corners
- 304 stainless steel rear tube conveyor
- 304 stainless steel bottom conveyor
- 2 compartments
- Large 4" x 8" sight windows
- 4 wheel ABS brakes
- 11R x 24.5 tires
- No lube landing gear
- Front and rear ladders
- 2 rows of LED running lights
- 24" wide x 26" long openings
- Formed ag tub
- Thunder 7000 One-Touch™ power tarp
- 18 oz. all heat welded tarp



Heavy-duty stainless steel rear conveyor rest



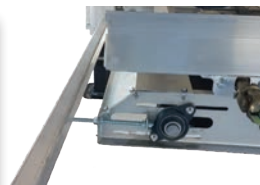
Thunder Power Tarp 7000 utilizes One-Touch™ technology, allowing the operator to open and close the tarp system with the push of a button. Remote included.



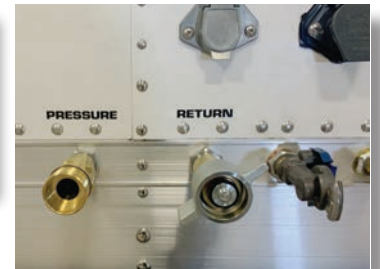
4" x 8" sight glass windows provide increased visibility inside the hopper tubs during loading and unloading.



No mess, smooth transition between horizontal and discharge conveyors.



Reversible horizontal conveyor allows dumping into augers or pits without conveyor removal.



Wing Nut Hydraulic Quick Disconnect



Conveyor control panel with light

OPTIONAL FEATURES

- 78" side walls
 - 1,510 cu. ft. water level
- Discharge swing option
- Aluminum wheels
- Rear camera
- 3 or 4 compartment options
- Rear LED illumination lighting
- 38 HP power pack
- Pneumatic vibrators
- EZ Flow Hydraulic Trap™



Optional self-contained 38 HP Kohler EFI power pack is protected from the elements neatly under the rear slope of the trailer.



Optional EZ Flow Hydraulic Trap™ is designed and tested for strength and reliability. It will meet your tough hauling demands.

Watch the EZ-VEYOR™ in action



800-437-9702 | feiinc.com
Delivering solutions to fuel and feed the world.